

PITCHED ROOF FLASHING DX EASY



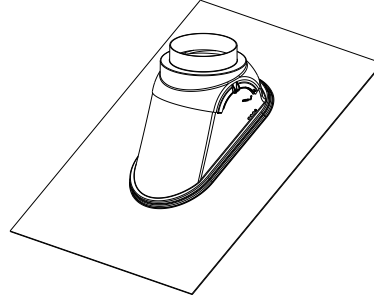
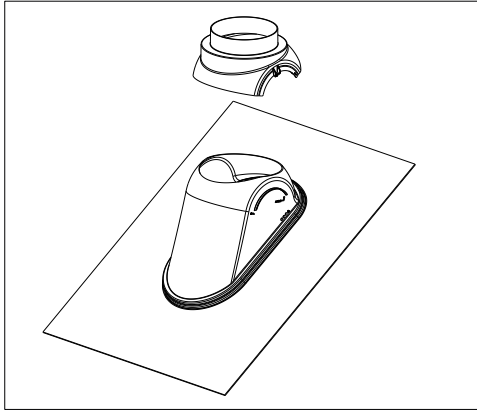
The new lead

INSTALLATION INSTRUCTION

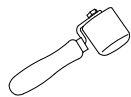
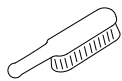
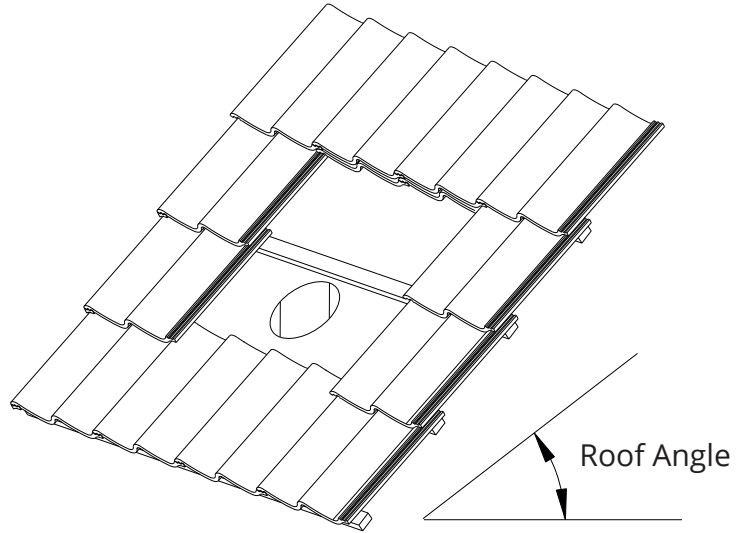
MAKING
SYSTEMS
WORK

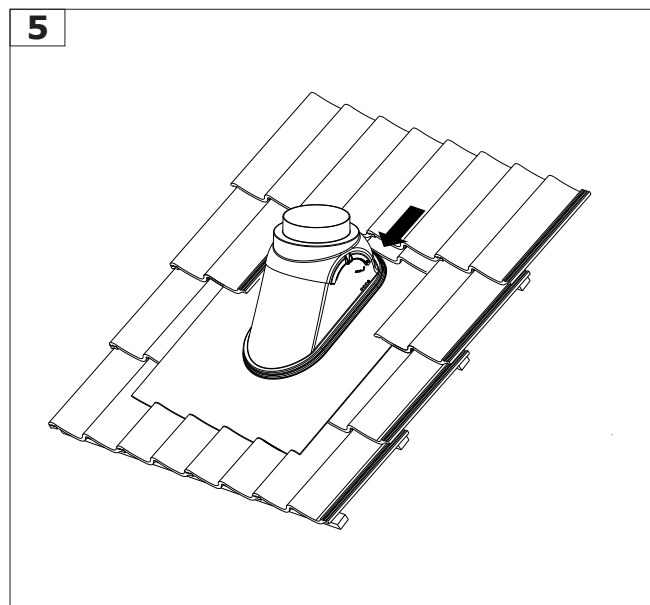
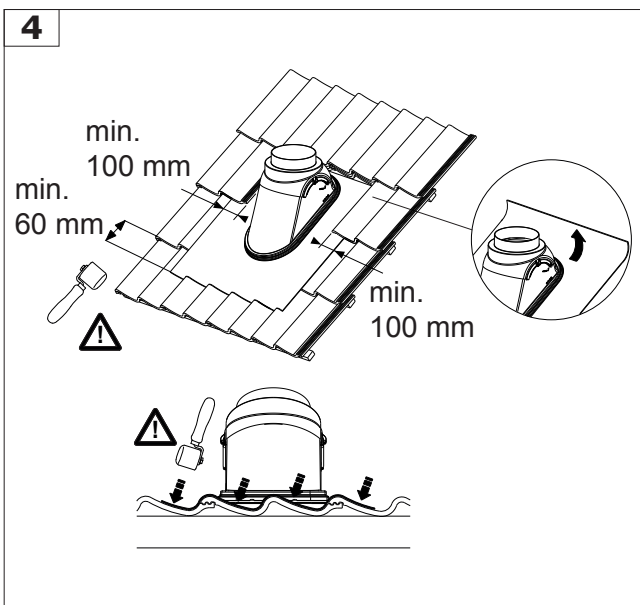
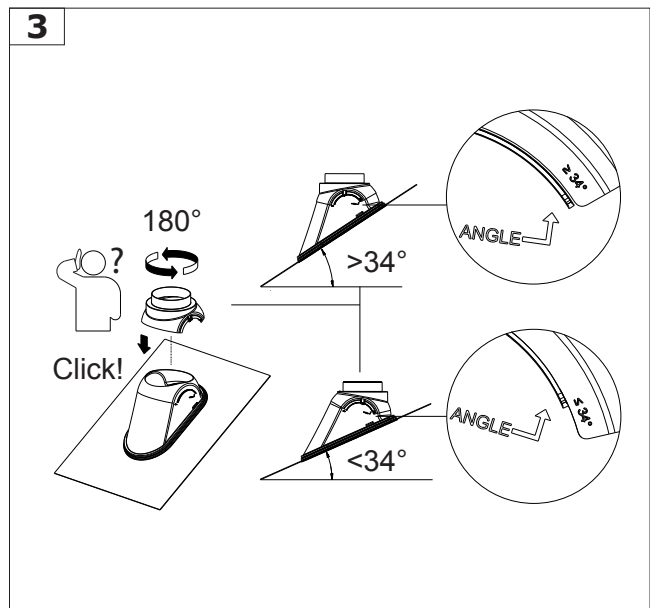
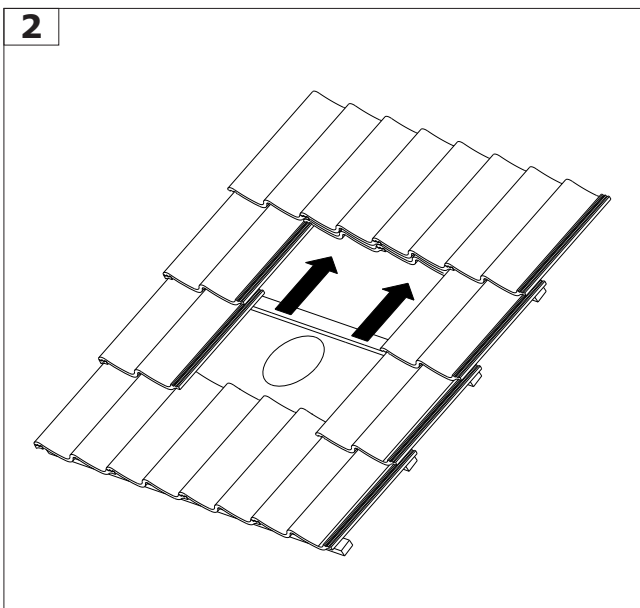
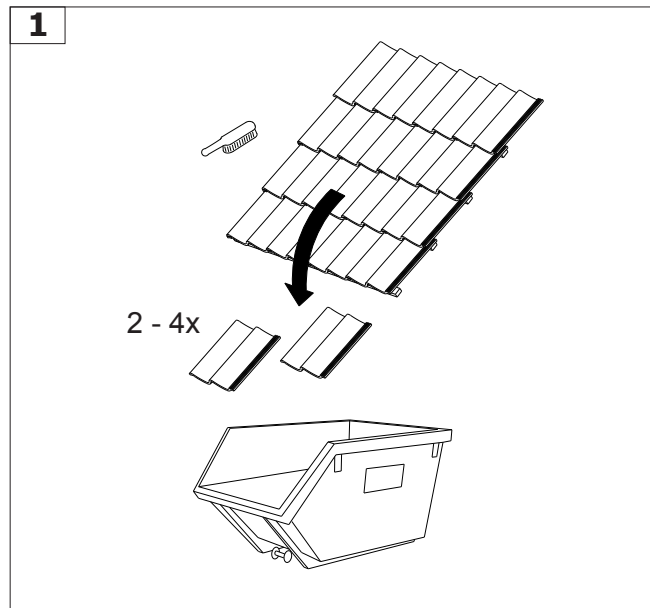
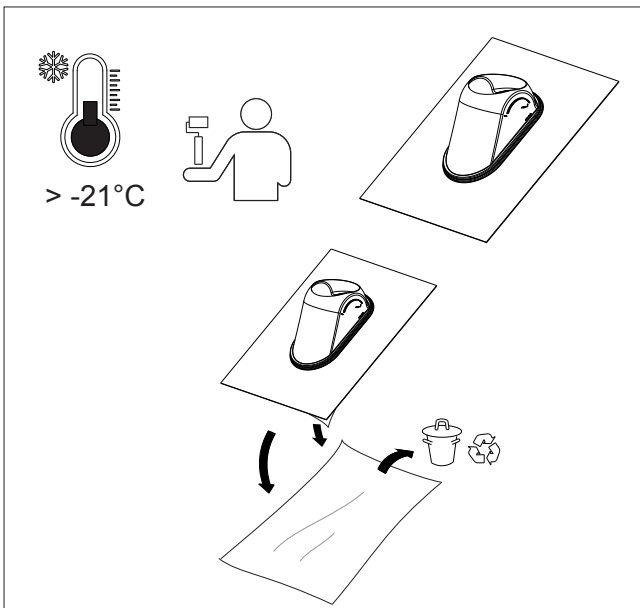


M&G Group®



Type collar	Roof Angle	
	Min	Max
Ø (mm)		
175	10°	55°
200	10°	50°
205	10°	50°
210	11°	50°
227	16°	50°
263	19°	50°







MAKING CLIMATE SYSTEMS WORK TOGETHER